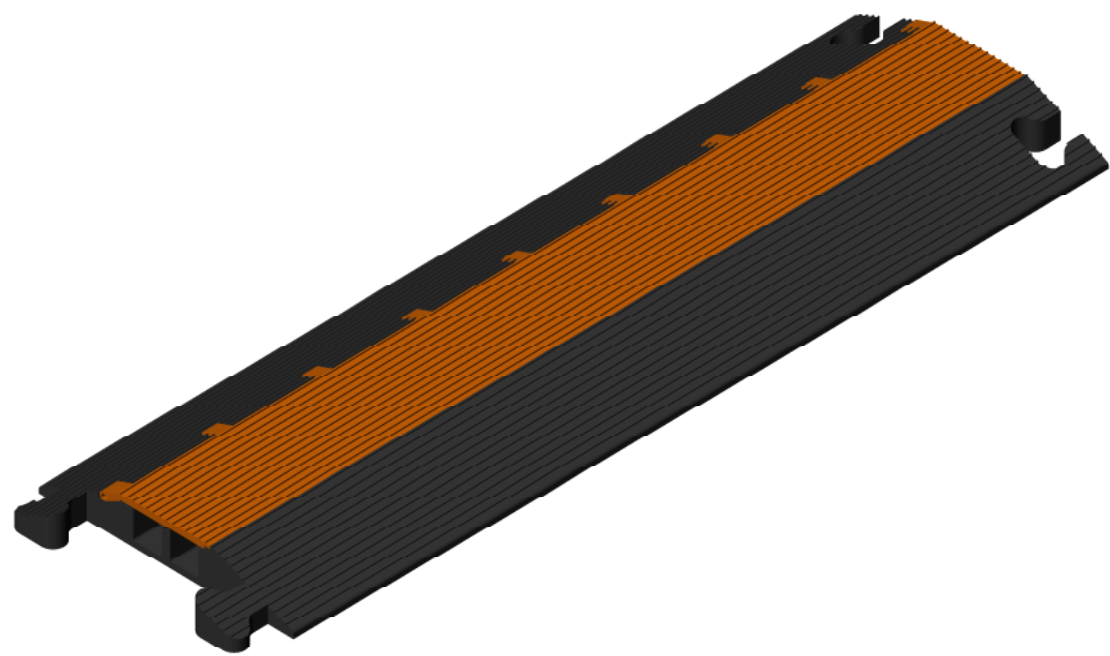
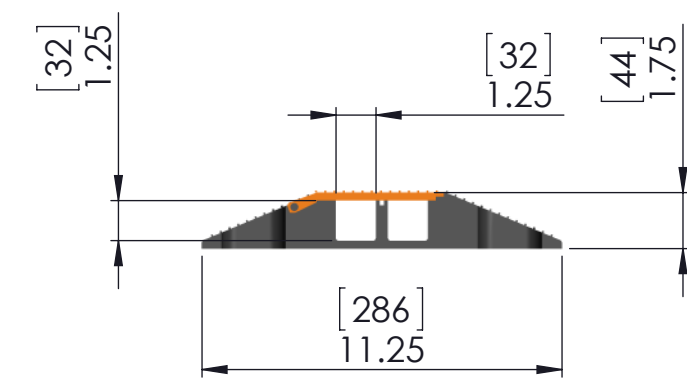
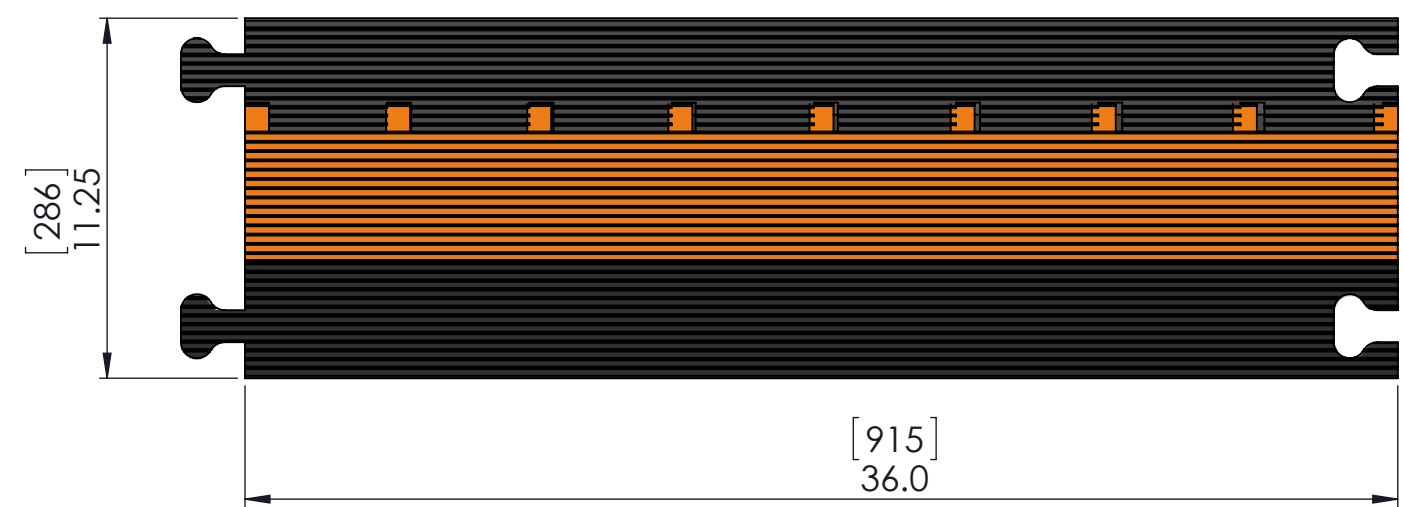


ZONE	REV	DESCRIPTION	DATE	APPROVAL
	1	PRELIMINARY RELEASE	1/4/2017	CN



**Technical Data Sheet - LG2125**

Description	Imperial	Metric
Product - Length x Width x Height	36 x 11.25 x 1.75	915 x 285 x 44
Channel Size	1.25 x 1.25	32 x 32
Product Weight (lbs)	13	5.9
Load Capacity (lbs/axle)	25,000	11340
Operating Temperature	-20°F up to +140°F	-30°C up to +60°C
Measurements are approximate	Imperial = inches & lbs.	Metric = mm & kg.

Standard Colors - Black Base/Orange Lid  
 Material - Polyurethane  
 Durometer - 90 Shore A Base +/- 5 --- 55D Shore D Lid +/-5  
 Manufacture in USA

<b>PROPRIETARY AND CONFIDENTIAL</b> THE INFORMATION CONTAINED IN THIS DRAWING IS THE SOLE PROPERTY OF THE ESAC. ANY REPRODUCTION IN PART OR AS A WHOLE WITHOUT THE WRITTEN PERMISSION OF THE ELASCO IS PROHIBITED.	UNLESS OTHERWISE SPECIFIED: DIMENSIONS ARE IN INCHES TOLERANCES: FRACTIONAL: ± 1/32 ANGULAR: MACH ± 1° BEND ± 1° .X = ± .1 .XX = ± .01 .XXX = ± .005	<b>Elasco Products, LLC</b> 18065 Redondo Circle Huntington Beach, CA 92648	
	UNLESS OTHERWISE SPECIFIED DIMENSIONS AND TOLERANCES PER ASME Y14.5M	DRAWN: CN 1/4/2017 CHECKED: APPROVED: ELECTRONIC SIGNATURE ON FILE	TITLE: LITE GUARD 2 Channel at 1.25" SIZE: B DWG. NO. LG2125 SCALE: 1:6