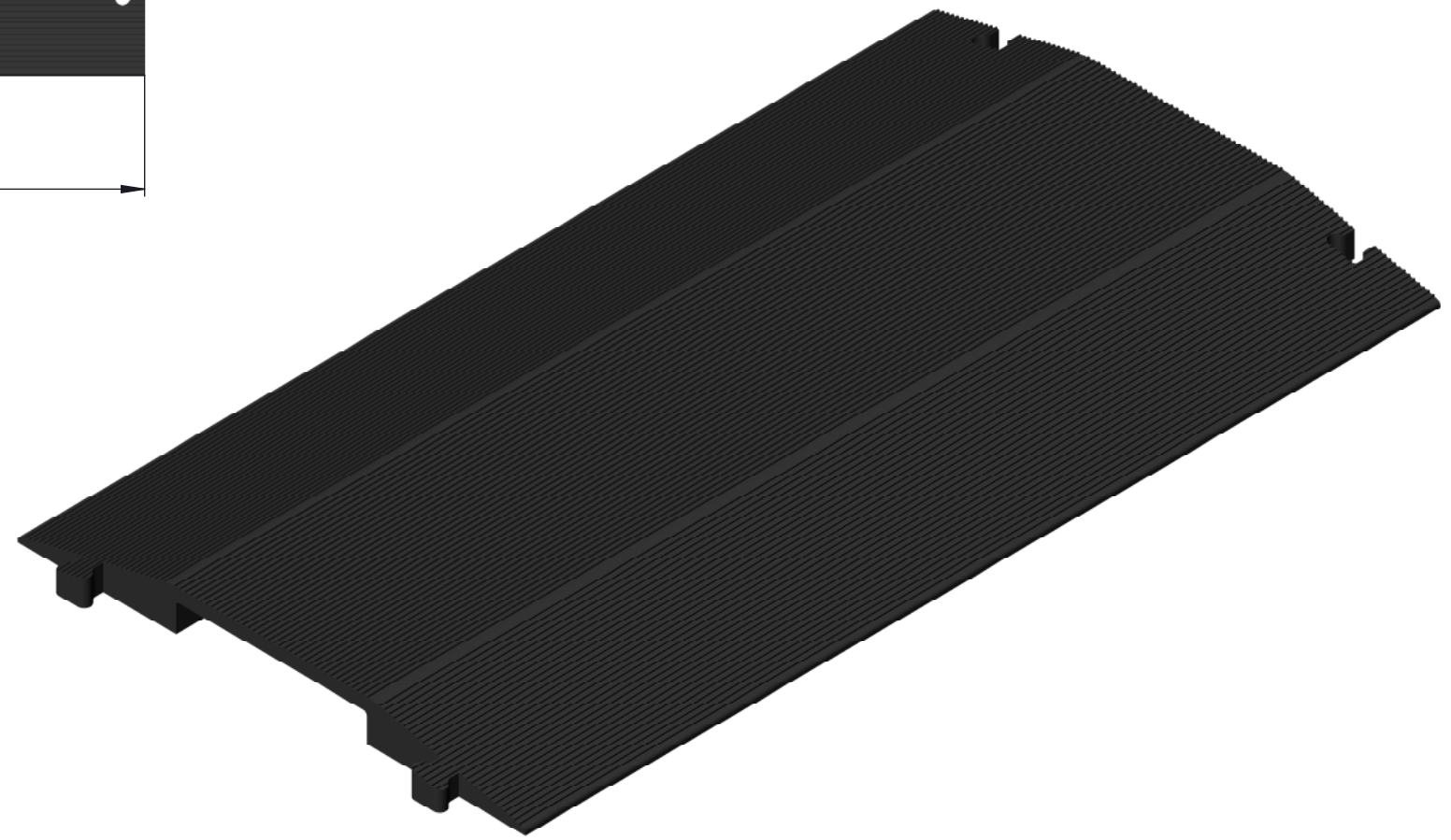
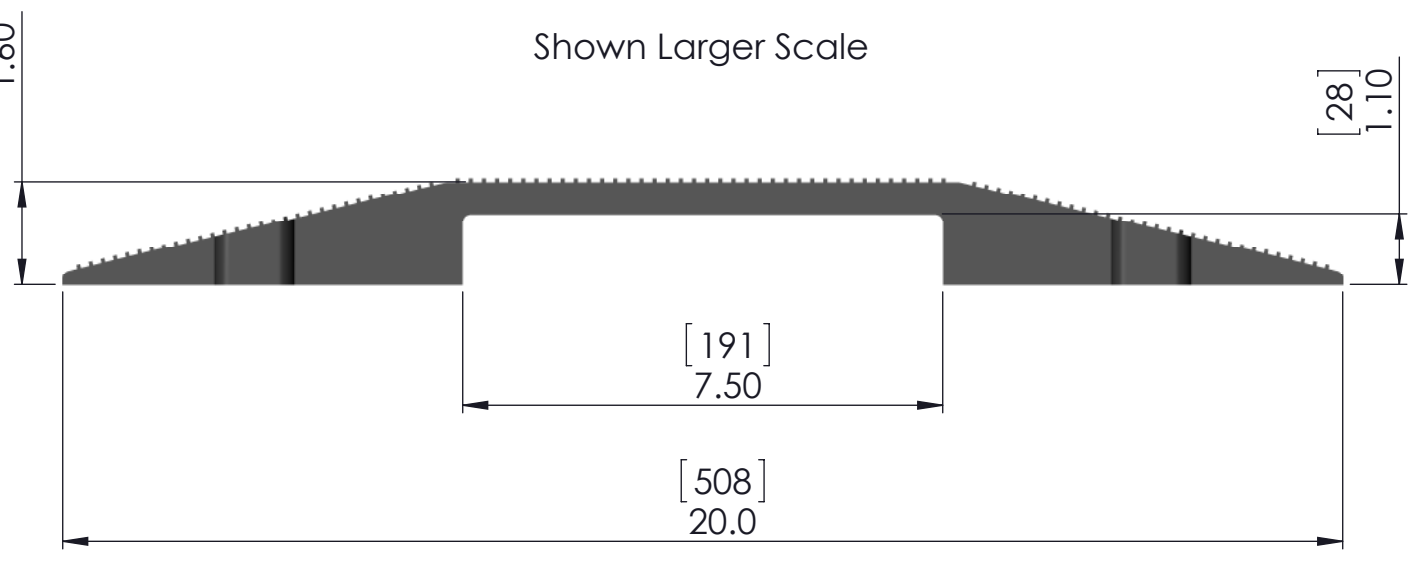
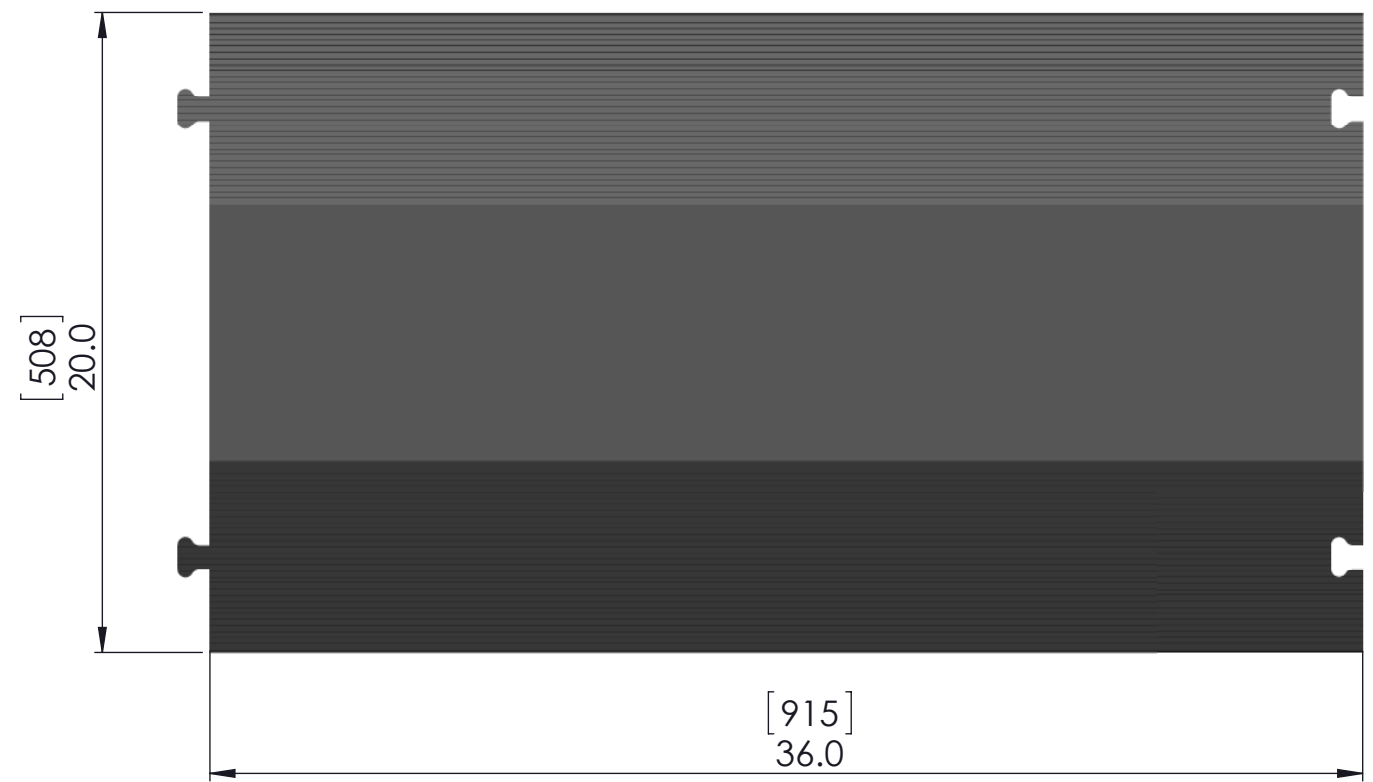


ZONE	REV	DESCRIPTION	DATE	APPROVAL
	1	PRELIMINARY RELEASE	1/23/2017	CN



Technical Data Sheet - ED8200		
Description	Imperial	Metric
Product - Length x Width x Height	36 x 20 x 2.5	915 x 508 x 64
Channel Size	7.5 x 1.6	190 x 40
Product Weight (lbs)	30	13.5
Load Capacity (lbs/axle)	15,000	6,800
Operating Temperature	-20°F up to +140°F	-30°C up to +60°C
Measurements are approximate	Imperial = inches & lbs.	Metric = mm & kg.

Standard Colors - Red or Black  
 Material - Polyurethane  
 Durometer - 62 Shore D +/- 5  
 Manufacture in USA

<b>PROPRIETARY AND CONFIDENTIAL</b> THE INFORMATION CONTAINED IN THIS DRAWING IS THE SOLE PROPERTY OF THE ESAC. ANY REPRODUCTION IN PART OR AS A WHOLE WITHOUT THE WRITTEN PERMISSION OF THE ELASCO IS PROHIBITED.	UNLESS OTHERWISE SPECIFIED: DIMENSIONS ARE IN INCHES TOLERANCES: FRACTIONAL: ± 1/32 ANGULAR: MACH ± 1° BEND ± 1° .X = ± .1 .XX = ± .01 .XXX = ± .005	<b>Elasco Products, LLC</b> 18065 Redondo Circle Huntington Beach, CA 92648	
	UNLESS OTHERWISE SPECIFIED DIMENSIONS AND TOLERANCES PER ASME Y14.5M	DRAWN: CN 1/23/2017 CHECKED: APPROVED: ELECTRONIC SIGNATURE ON FILE	TITLE: DropOver ED8200 Red or Black SIZE: B DWG. NO. ED8200 SCALE: 1:6