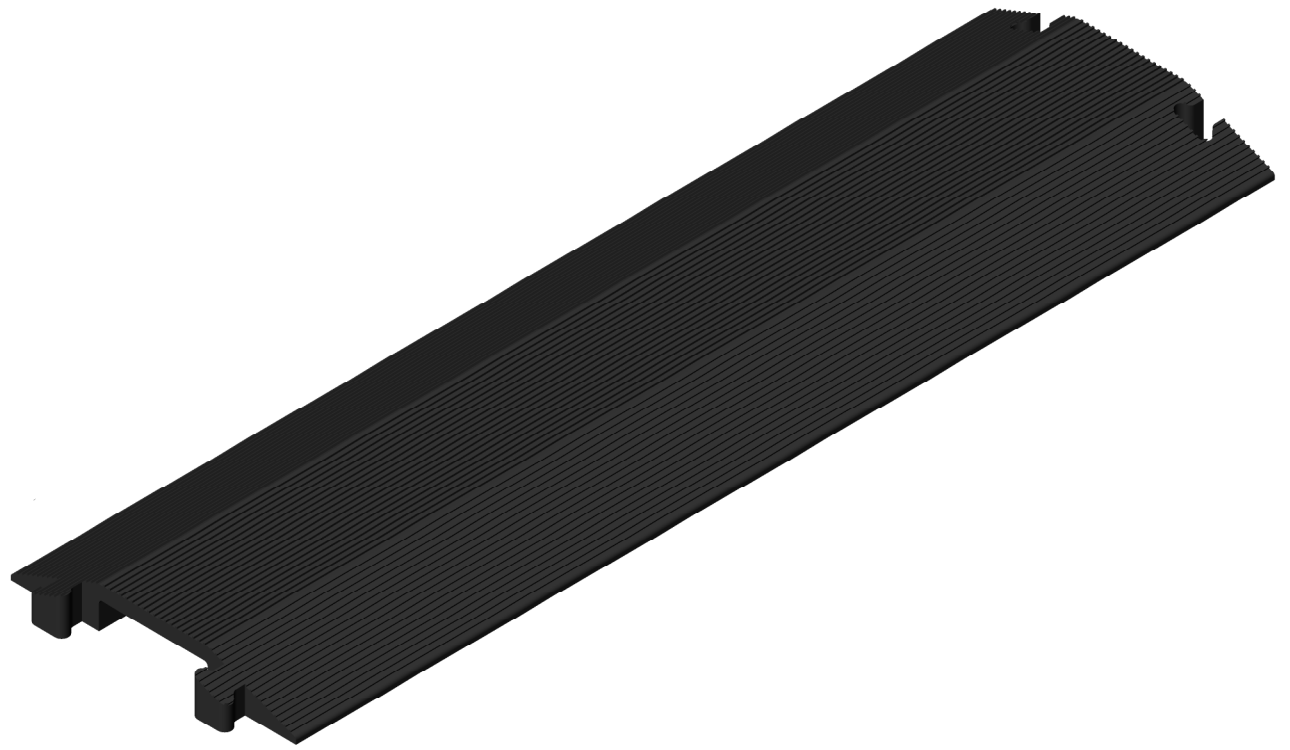
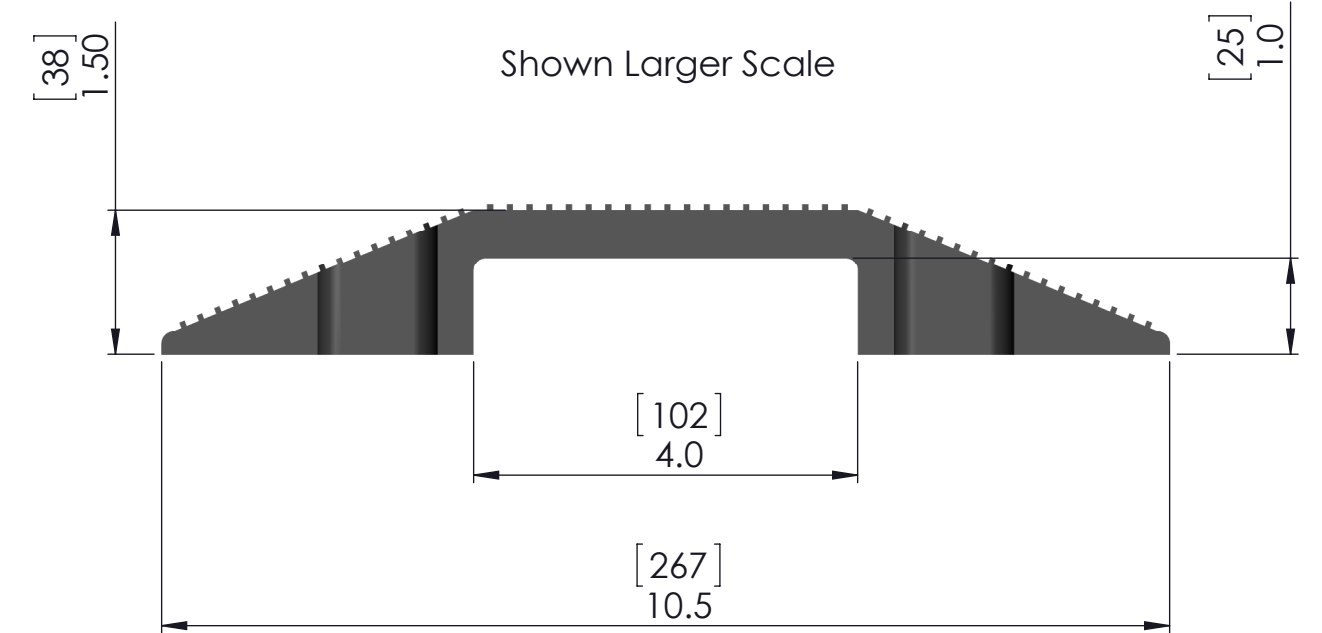
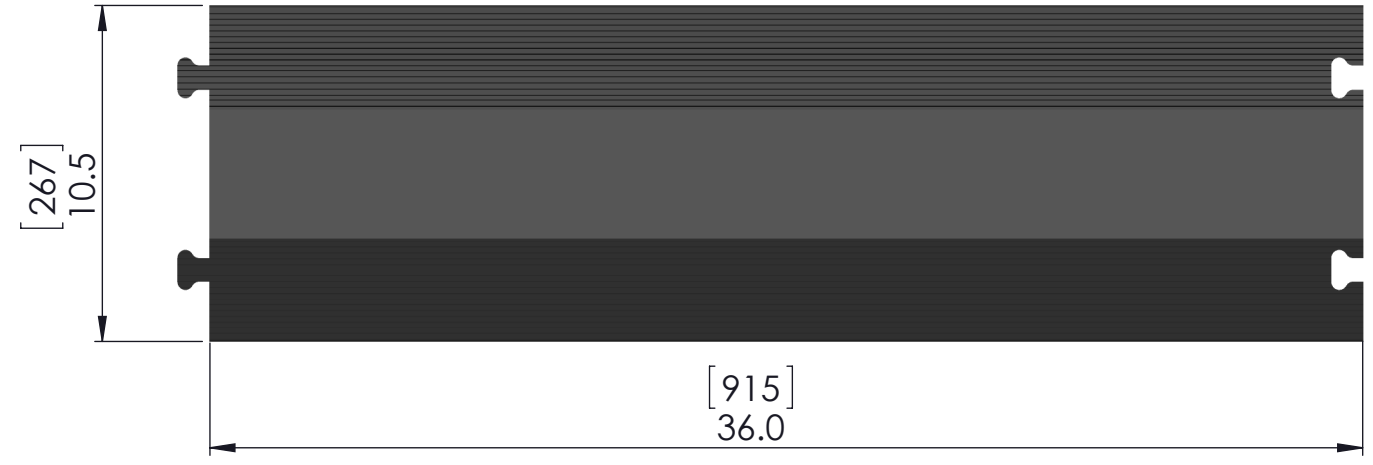


ZONE	REV	DESCRIPTION	DATE	APPROVAL
	1	PRELIMINARY RELEASE	1/23/2017	CN



Technical Data Sheet - ED1010		
Description	Imperial	Metric
Product - Length x Width x Height	36 x 10.5 x 1.5	915 x 266 x 38
Channel Size	4 x 1	100 x 25
Product Weight (lbs)	6	2.7
Load Capacity (lbs/axle)	17,500	7,935
Operating Temperature	-20°F up to +140°F	-30°C up to +60°C
Measurements are approximate	Imperial = inches & lbs.	Metric = mm & kg.

Standard Colors - Red or Black
Material - Polyurethane
Durometer - 62 Shore D +/- 5
Manufacture in USA

PROPRIETARY AND CONFIDENTIAL THE INFORMATION CONTAINED IN THIS DRAWING IS THE SOLE PROPERTY OF THE ESAC. ANY REPRODUCTION IN PART OR AS A WHOLE WITHOUT THE WRITTEN PERMISSION OF THE ELASCO IS PROHIBITED.	UNLESS OTHERWISE SPECIFIED: DIMENSIONS ARE IN INCHES TOLERANCES: FRACTIONAL: ± 1/32 ANGULAR: MACH ± 1° BEND ± 1° .X = ± .1 .XX = ± .01 .XXX = ± .005	Elasco Products, LLC 18065 Redondo Circle Huntington Beach, CA 92648 TITLE: DropOver ED1010 Red or Black
	UNLESS OTHERWISE SPECIFIED DIMENSIONS AND TOLERANCES PER ASME Y14.5M	DRAWN: CN 1/23/2017 CHECKED: APPROVED: ELECTRONIC SIGNATURE ON FILE